

MPTA Series PCB Headers

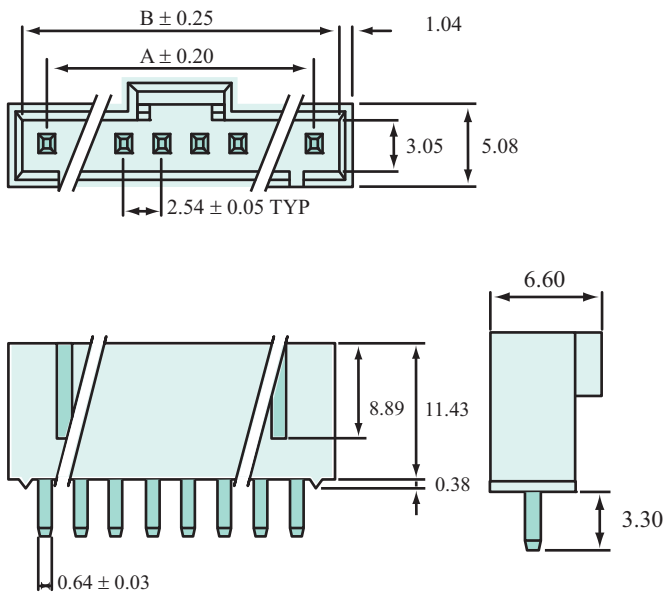
2-18 Ways Available
 Mates with MHL & MHLA Housings
 Contact 0.64mm Square Pin
 Temperature Range -25°C to +85°C
 Current Rating 2.5A AC, DC
 Withstand Voltage 600AC

Voltage Rating 250V AC, DC
 PBT UL 94VO Black
 Standard Gold Plated
 Insulation Resistance 1,000M Ω

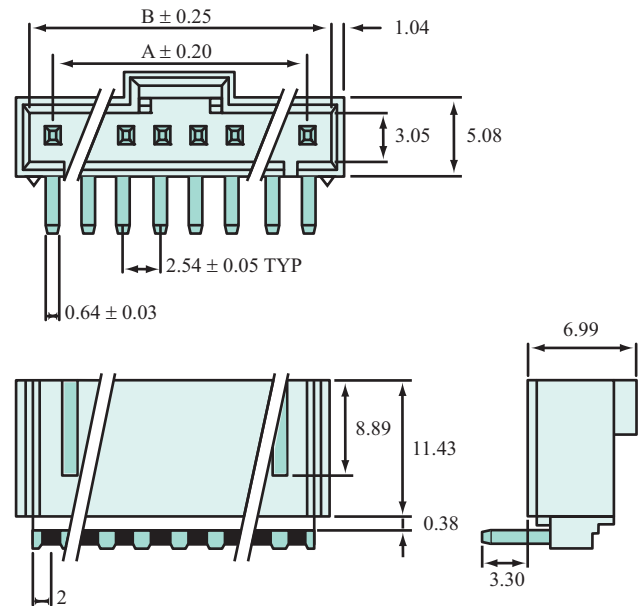
RoHS Compliant



Straight (S)



Right Angle (R)



No of Ways	Part No	Dimension mm	
		A	B
2	MPTA X-02	2.54	7.62
3	MPTA X-03	5.08	10.16
4	MPTA X-04	7.62	10.67
5	MPTA X-05	10.16	13.21
6	MPTA X-06	12.70	15.75
7	MPTA X-07	15.24	18.29

No of Ways	Part No	Dimension mm	
		A	B
8	MPTA X-08	17.78	20.83
9	MPTA X-09	20.32	23.37
10	MPTA X-10	22.86	25.91
11	MPTA X-11	25.40	28.45
12	MPTA X-12	27.94	30.99
13	MPTA X-13	30.48	35.56

